

## SPECIFICATIONS (at 25°C)

Supply Voltage:	230-240 V a.c. 50 Hz
Rating:	29 W
Air Displacement:	245 m <sup>3</sup> max/hour (approx.)
Dimensions (H x W x D):	218 x 225 x 132 mm
Hole cut-out size:	160 mm
IP Rating:	IP44
Protection Class:	Class II
Shutters:	R621/9A R621/8A (not fitted)



## FEATURES

These exhaust fans are designed primarily for wall mounting. They may also be ceiling mounted, however this mounting angle may lead to a shorter life span.

The fan is to be ducted through to an outside wall (with the addition of ducting and an outside grille). They may also be used for window mounting with the addition of a window mounting kit. These two kits ('wall ducted' and 'window mounting') are available from your usual outlet.

## INSTALLATION INSTRUCTIONS

- This unit should be installed by a licensed electrical contractor or similarly qualified person.
- Switch OFF mains supply before making electrical connection. Means for disconnection must be supplied in accordance with AS/NZS 3000.
- Choose a suitable mounting position. Check the other side of the wall and the cavity for obstructions such as studs, pipes, wires etc. If necessary, adjust the mounting position to clear these. These exhaust fans should be mounted as high as possible and must not be installed within the splash areas of showers, baths or tubs, or within 120 cm of a stove.
- When ducting through the wall to the outside or if fixing to a window refer to the instructions in the 'wall ducted' kit or to the 'window mounting' kit (available separately).
- For replacement of an existing fan in the installation the following instructions apply:
  - In some homes, the fan will fit an existing ventilation hole after removal of the vent cover.
  - Make a circular 160 mm hole in the inside wall.
  - Fix the cable to the cable retention grip, allowing enough cable to connect to the terminals. Make electrical connections (See electrical wiring diagrams). Connect the cable from the fan to the switch.
  - Connect the cable to the terminal block according to model type.

**Note:** these units are double insulated, and do not require earth (See electrical wiring diagrams).
  - Fix the fan firmly to the wall with four screws.
  - Replace the fan cover and tighten the base screw.
  - Switch ON and test.

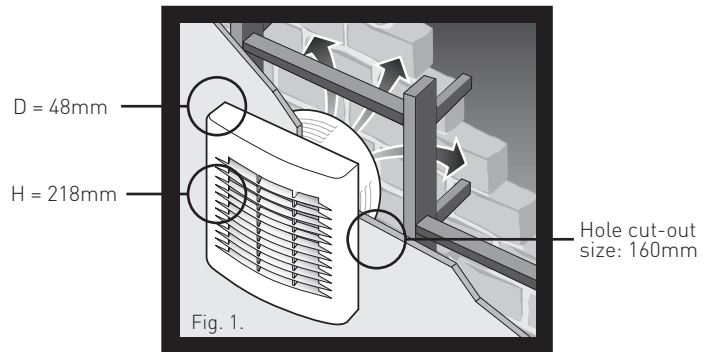


Fig. 1. Fan ducted into wall cavity (Kits for ducting through the wall or window are available from your usual wholesale outlet).

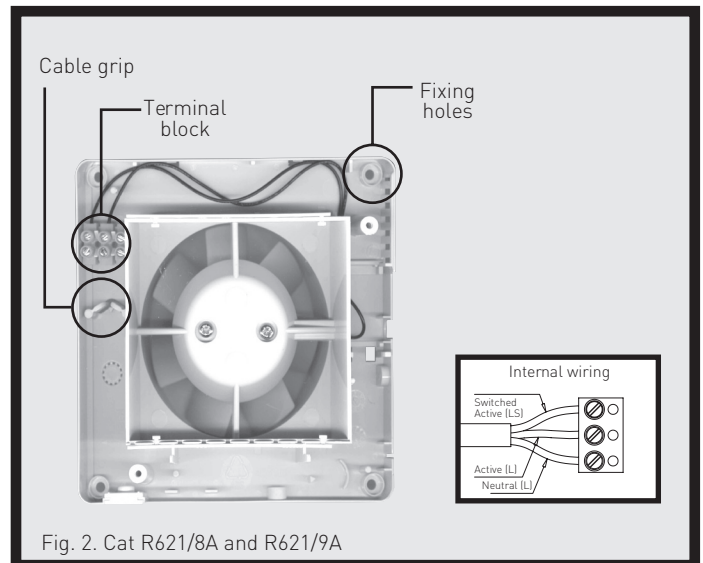
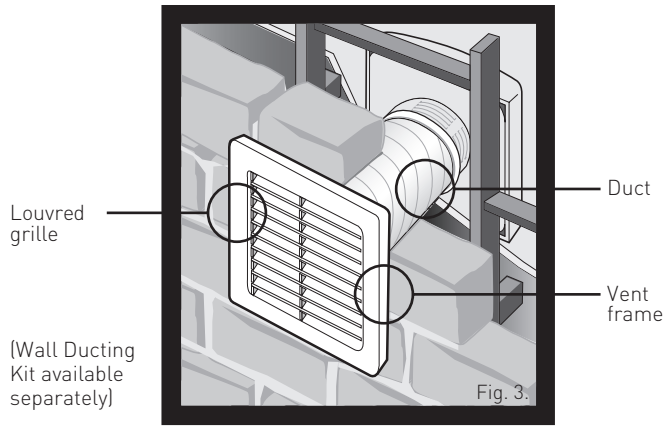


Fig. 2. Cat R621/8A and R621/9A

### R621/6D Wall ducting KIT (sold separately)



#### Instructions for installing exhaust fans through a cavity wall using HPM Cat. R621/6D Wall Ducting Kit.

A suitable position must be found that will suit:

1. The location of the fan in the room
2. The position of the vent on the outside wall
3. The location of studs, pipes, wires inside the cavity

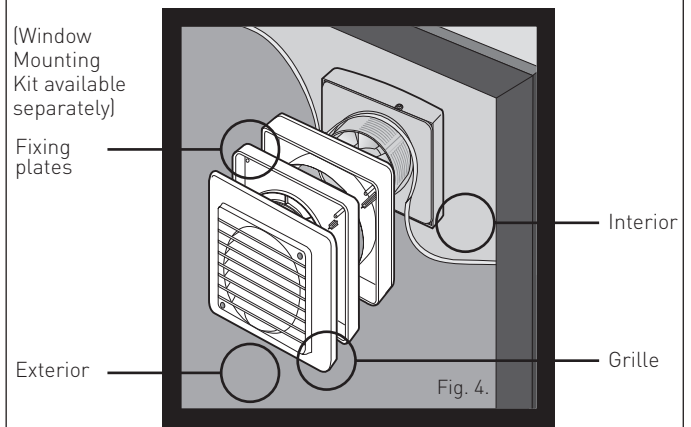
Make a circular hole 160mm in the outside wall in line with the inner hole.

From the inside, secure the ducting to the fan by using the cable tie supplied. It is vital that the strap is pulled tightly to avoid the possibility of the ducting coming away from the fan when pulled from the other side.

Use screws to fix the fan to the inside wall. The screws and the method of fixing will depend on the inside wall material. (Also see installation instructions on the front page.) From the outside, pull the ducting through the outside hole. The stretched length of the ducting material is approx. 350mm which should be well in excess of requirements. Pull duct tightly and cut the excess ducting off, leaving approximately 50mm to spare. Remove the inner louvred grille section by gently prying open with a screw driver.

Attach the outside vent to the remaining duct with the other cable tie so that there is as little slack ducting as possible. Tighten the cable tie strongly. Push the vent frame back into the hole and attach with the appropriate screws for the wall material. Snap in the louvred grille from the outside with the louvres pointing downwards.

### R621/6WA Window Mounting KIT (sold separately)



#### Instructions for installing exhaust fans into windows using HPM Cat. R621/6WA Window Mounting Kit.

Cut a 160mm diameter hole in the glass using a circular glass cutter (HPM recommend a qualified glazier performs this task). The hole should be positioned as high as possible for greater effectiveness but no closer than 200mm to the edge of the glass.

Place the fan spigot through the hole in the glass from the inside with a gasket to each side of the glass.

From the outside, place the spacers as required, with the locating pins facing outwards. For double-glazing and glass up to 40mm thick, one of the spacers may be discarded.

Draw the assembly together with the threaded fixing ring. Do not over-tighten.

Fix the exterior grille in position using the screws provided. The louvres must point downwards.

After installation ensure that impeller rotates freely.

**Note:** It is desirable to have the ducting as taut as possible as any slackness may restrict the air-flow through the ducting.

## PRODUCT NOTES

1. This product has been designed to operate on a nominal supply voltage of 230V- 240V a.c. 50 Hz.
2. Ventilation products must have an adequate source of external air to ensure rated performance can be achieved.
3. This product has been designed for domestic or similar uses and is not suitable for a commercial installation.
4. This appliance is not intended for use by persons (including children) with reduced physical, sensory or mental capabilities, or lack of experience and knowledge, unless they have been given supervision or instruction concerning use of the appliance by a person responsible for their safety.
5. After installation this product must be tested as required for the appropriate government and/or statutory regulations.
6. Consideration must be taken in the installation of ducts to ensure that condensation that will form in the duct will not run back into the fan housing.
7. Electrical installations periodically receive transient over-voltages. This product has been designed to minimise the effect of such voltages on the connected equipment. It may not give full protection for extreme transient over-voltages such as those resulting from a close lightning strike.
8. Exhaust fans may adversely affect the safe operation of appliances burning gas or other fuels (including those from other rooms) due to back flow of combustion gases. These gases can potentially result in carbon monoxide poisoning. After installation of an exhaust fan such as a partition fan, the operation of flued gas appliance should be tested by a competent person to ensure that back flow of combustion gases does not occur.
9. This product must be cleaned periodically from dust and other contaminants.
10. This product should only be cleaned with a damp cloth. Cleaning agents and solvents should not be used.
11. The material in this product may vary in colour from batch to batch. Colour matching from one batch to another cannot be guaranteed.
12. This product contains no serviceable parts and no attempt should be made to repair this product. If the product is faulty it should be discarded or contact legrand if still under warranty.
13. This product utilises intellectual property in the form of registered designs, trademarks, and/or patents. Such intellectual property remains the property of Legrand in all cases.
14. Legrand reserves the right to modify the specifications of this product at any time.

## Warranty

Legrand warrants this product for a period of 3 years from the date of purchase. These goods come with guarantees that cannot be excluded under the Australian and New Zealand Consumer Laws. You are entitled to a replacement or a refund for a major failure and for compensation for any other reasonably foreseeable loss or damage. You are also entitled to have the goods repaired if the goods fail to be acceptable quality and the failure does not amount to a major failure.

See the Warranty card enclosed with this product for further details.

## Customer Service

For all Customer Service and Technical Support please call Monday to Friday during business hours.

Legrand Australia  
1300 369 777  
www.hpm.com.au

Legrand New Zealand  
0800 476 009  
www.hpm.co.nz

ABN: 31 000 102 661

